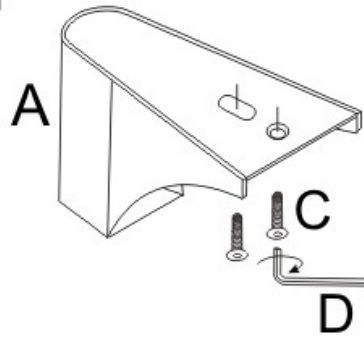
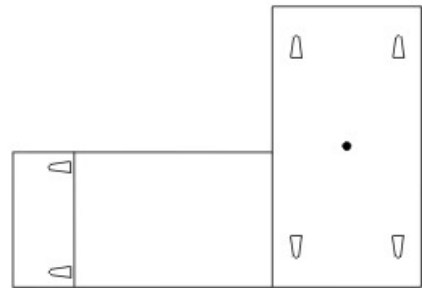
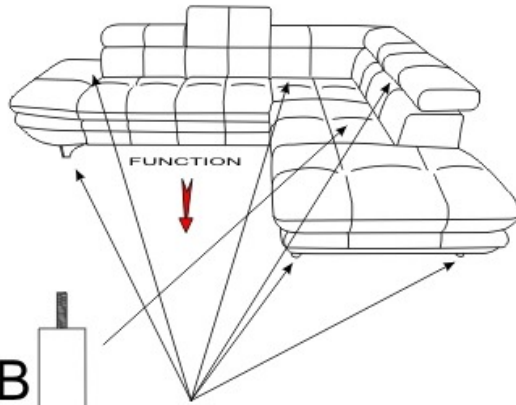





# ENTERPRISE 2F-OTM



A = 6X 

B = 1X 

C = 12X 

D = 1X 