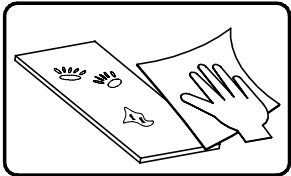
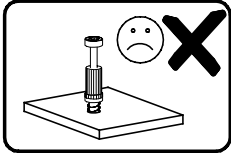
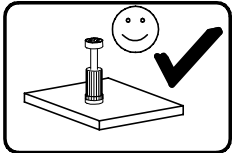
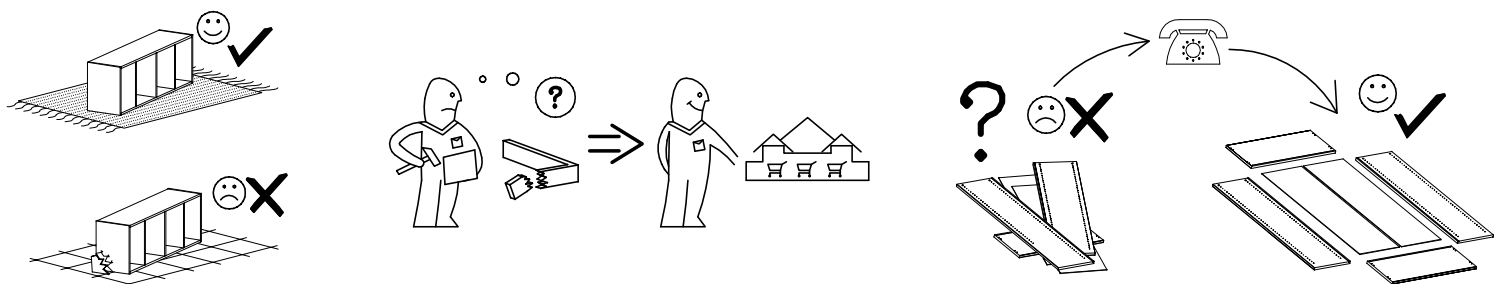
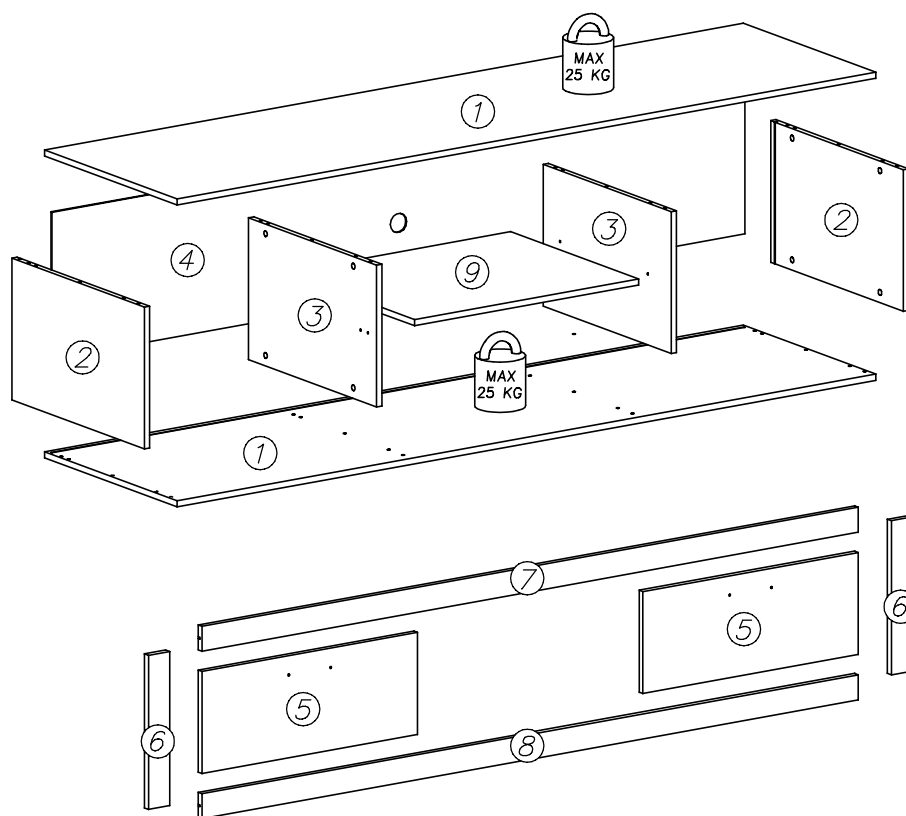


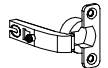
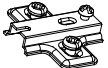
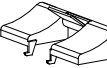

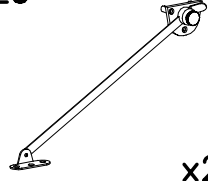


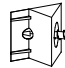

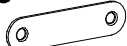
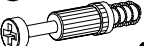





1,5h

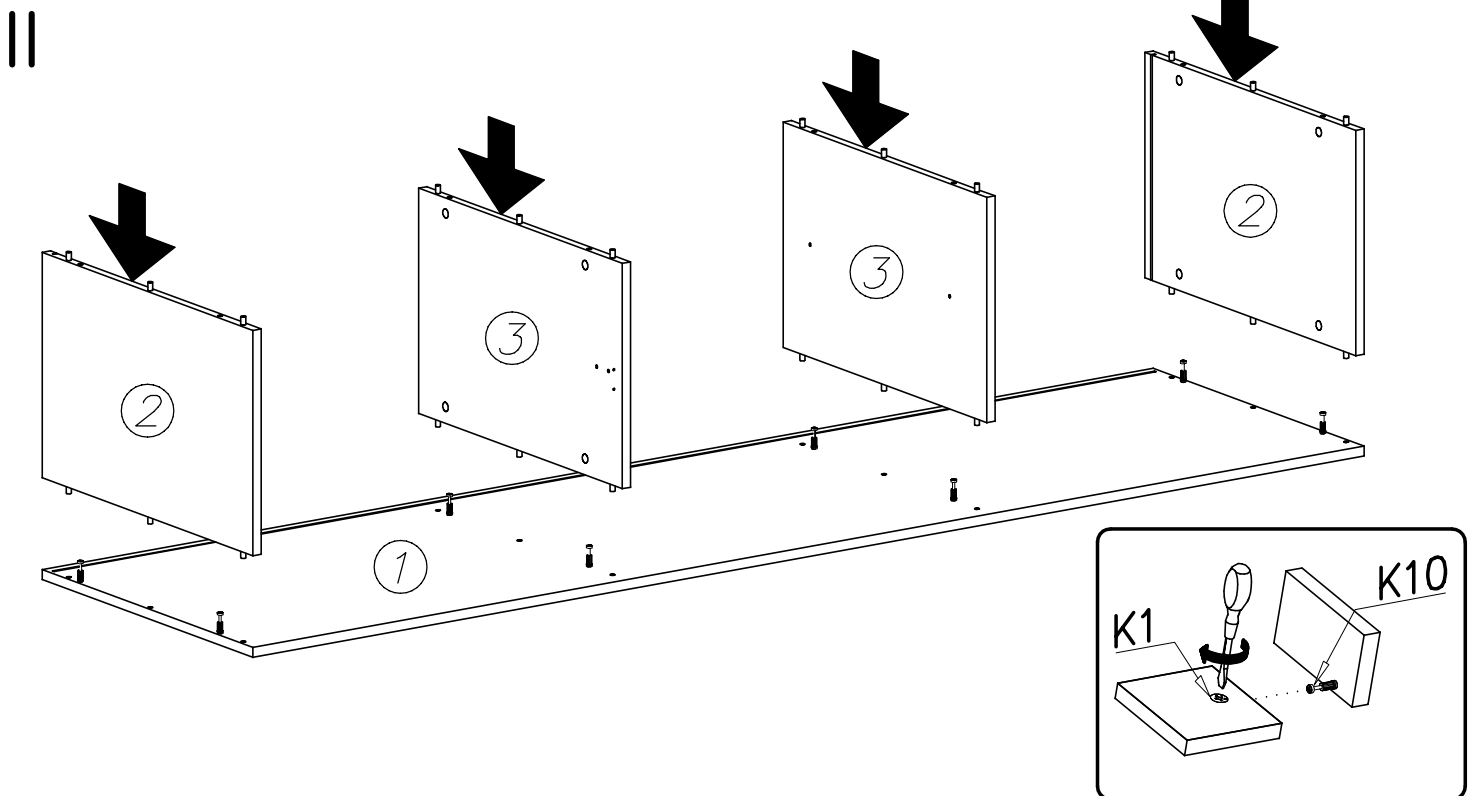
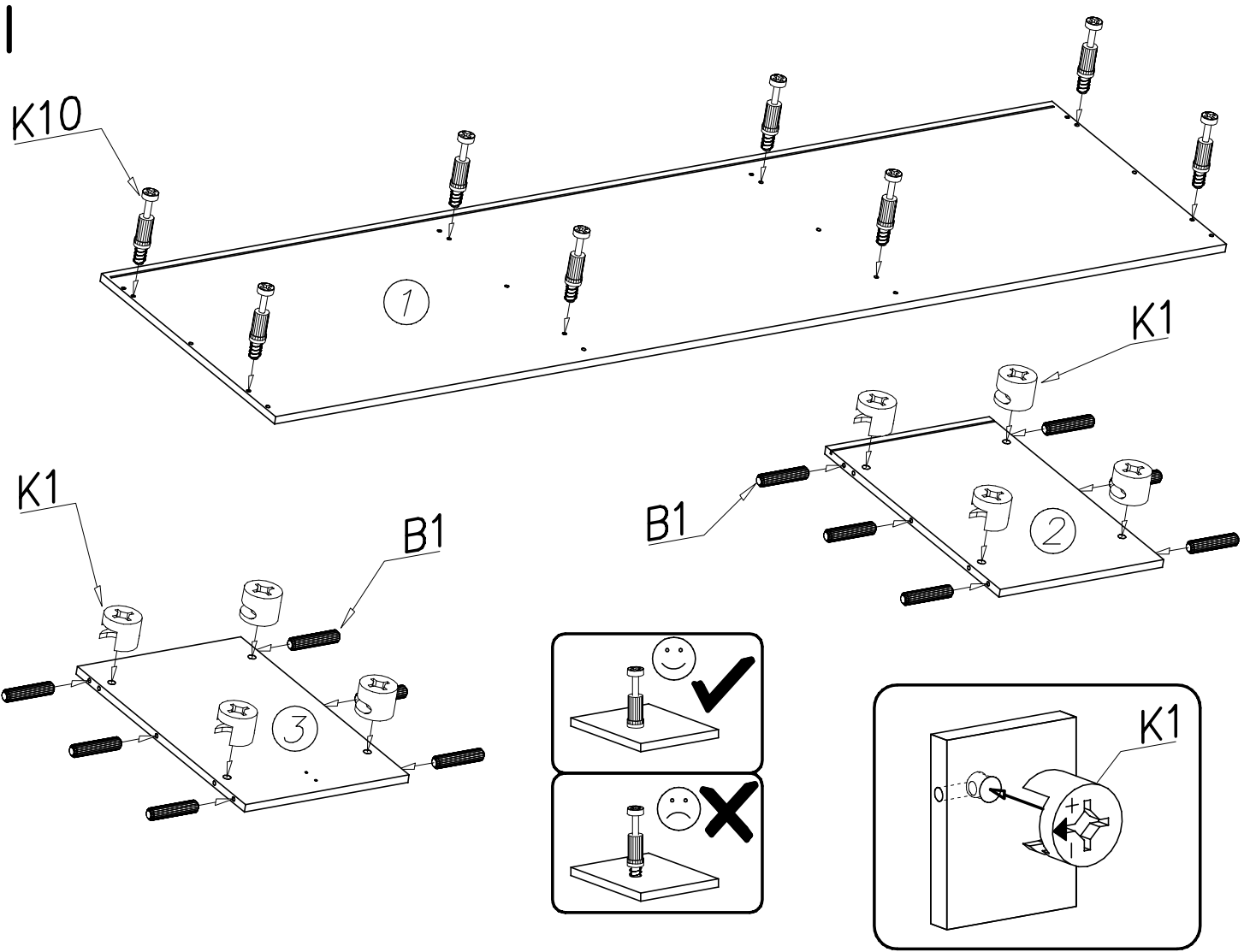
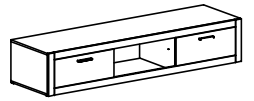


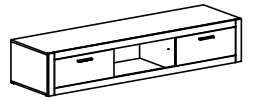


nr	L[mm]	B[mm]	T[mm]	Menge	Coll
1	2140	580	16	2	1/2
2	366	580	16	2	2/2
3	366	560	16	2	2/2
4	2119	378	3	1	1/2
5	660	264	16	2	1/2
6	401	65	18	2	1/2
7	2011	16	16	1	1/2
8	2011	16	16	1	1/2
9	679	560	16	1	2/2

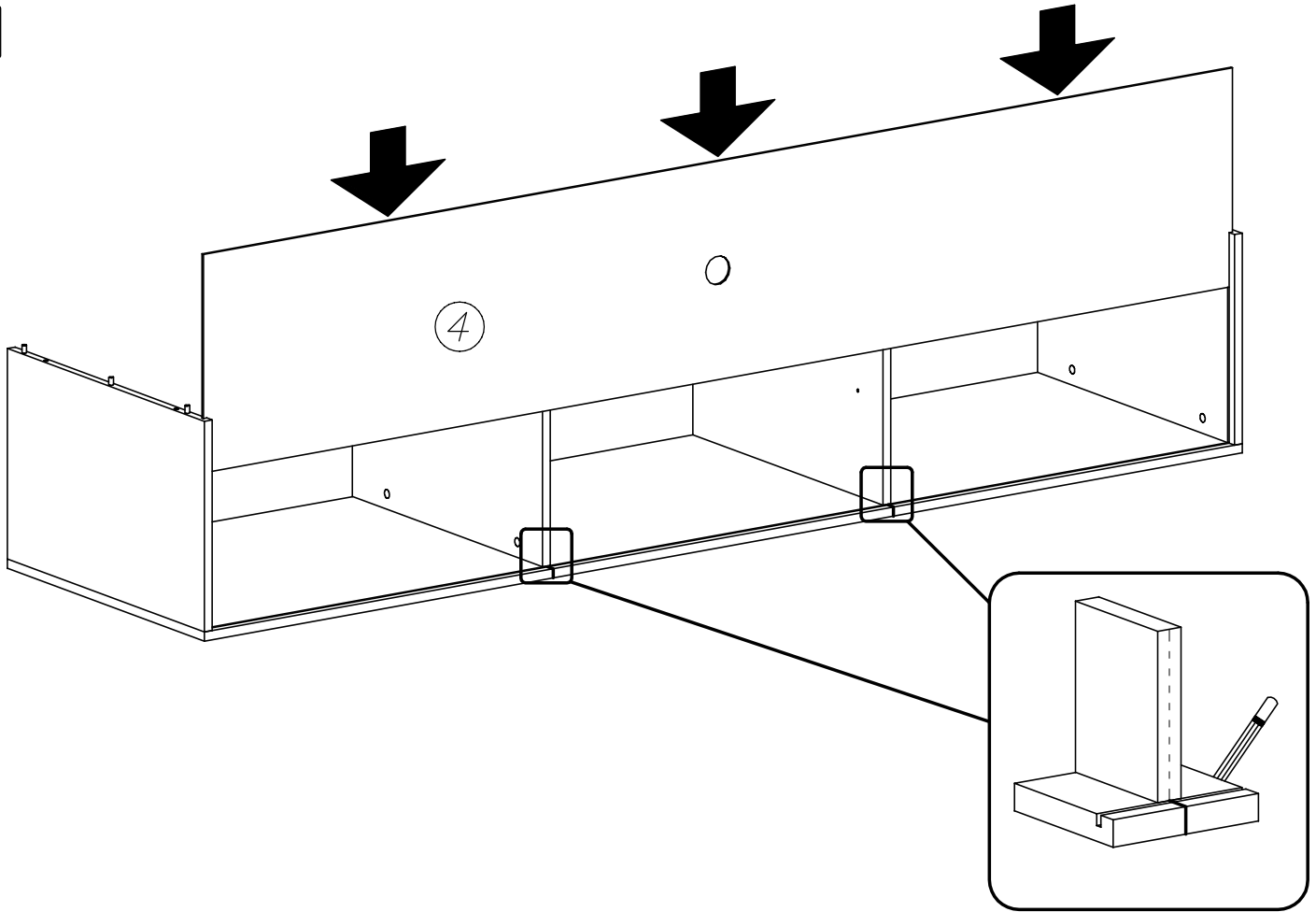


<b>C5</b>  Z35R0 x...(4)	<b>D5</b>  PZ35R0 x...(4)	<b>L10</b>  x...(2)	<b>G8</b>  4x30 x...(4)	<b>L6</b>  x2	
<b>K1</b>  ø15x12 x...(16)	<b>P33</b>  x...(8)	<b>I1</b>  x...(14)	<b>E1</b>  128mm x...(2)		<b>M19</b>  x...(4)
<b>K10</b>  x...(16)	<b>B1</b>  ø8x35 x...(24)	<b>I7</b>  x...(16)	<b>F12</b>  x...(16)	<b>G34</b>  3,5x16 x...(114)	<b>F2</b>  x...(4)

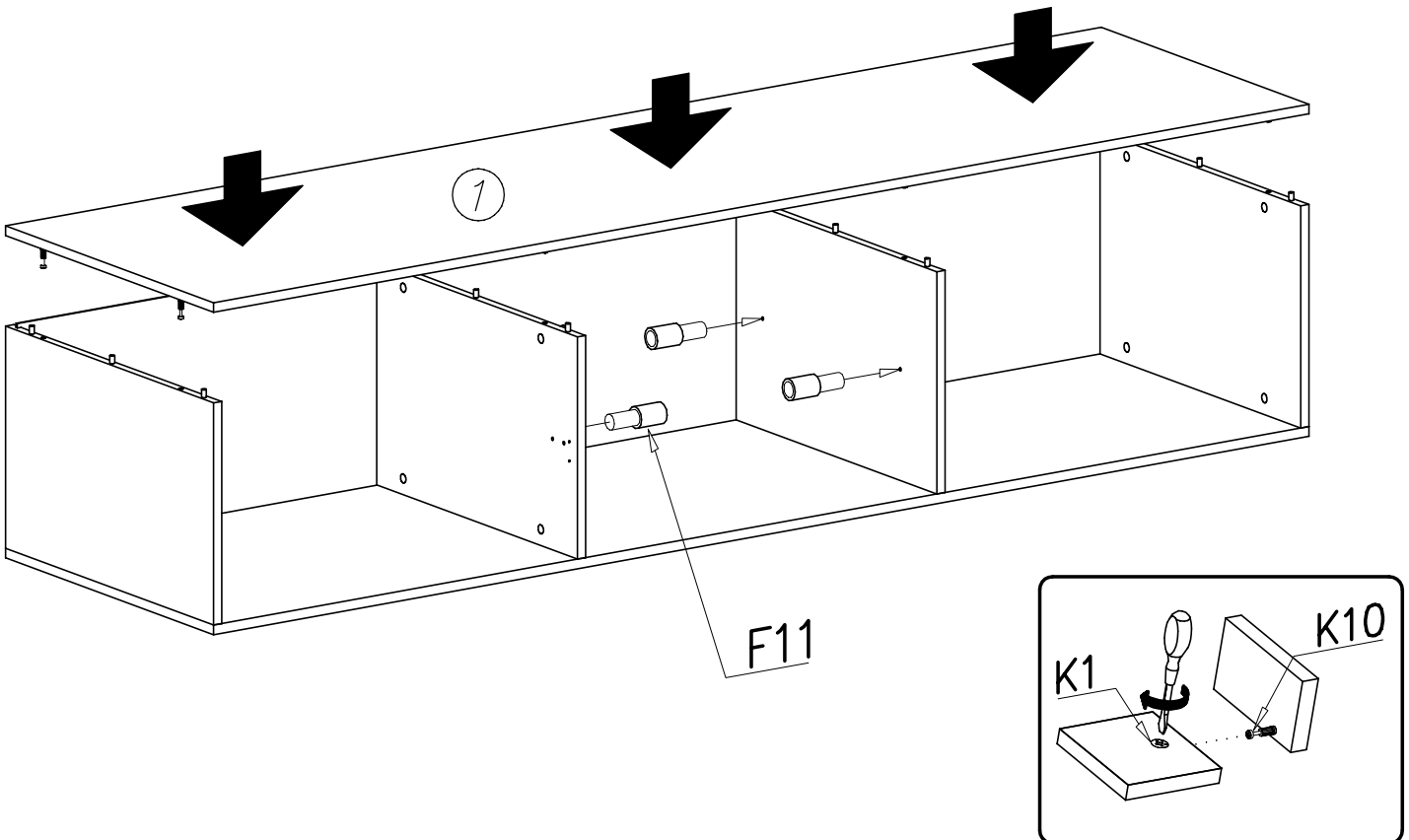


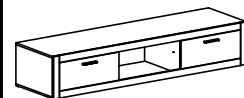


III

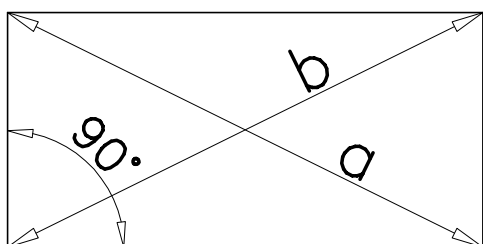
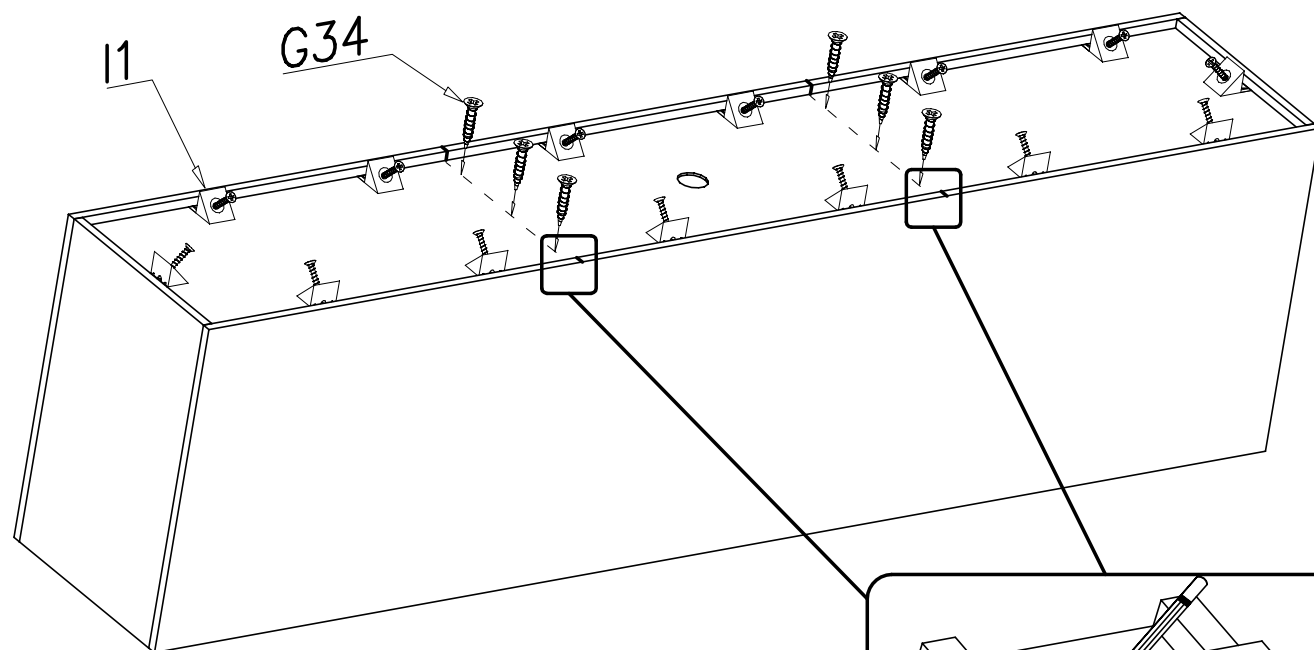


IV

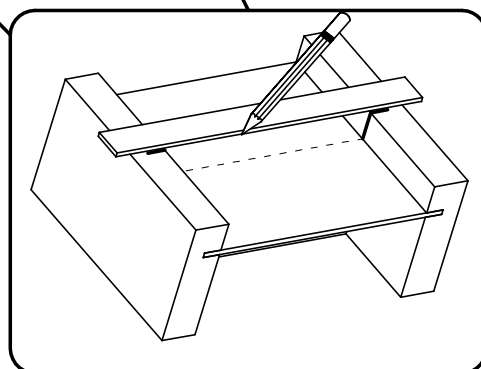




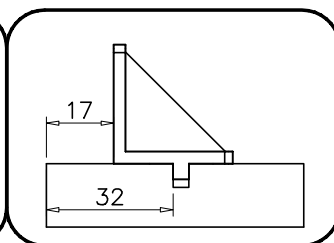
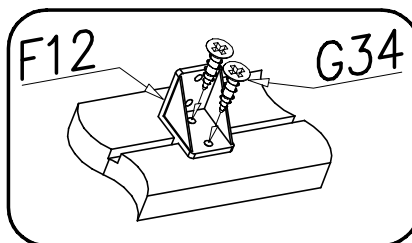
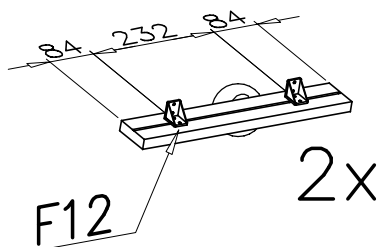
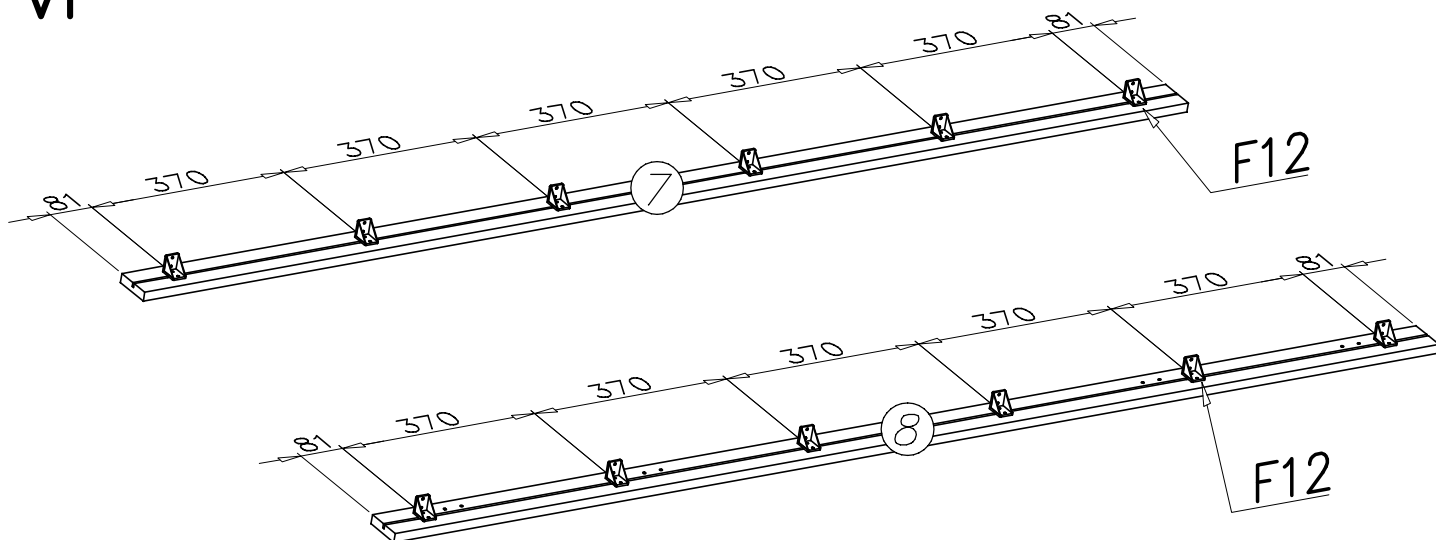
V

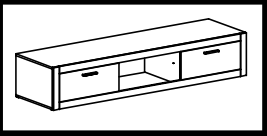


$a = b$

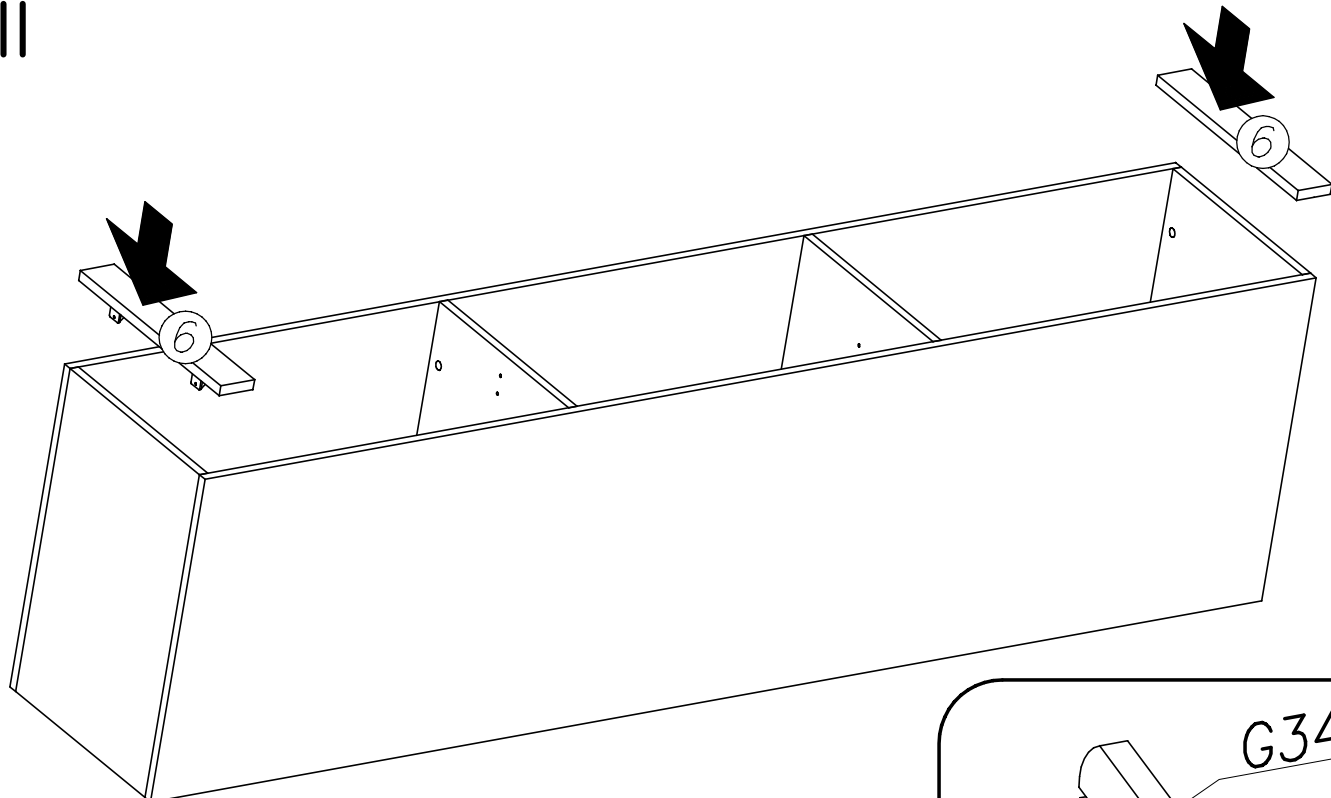


VI

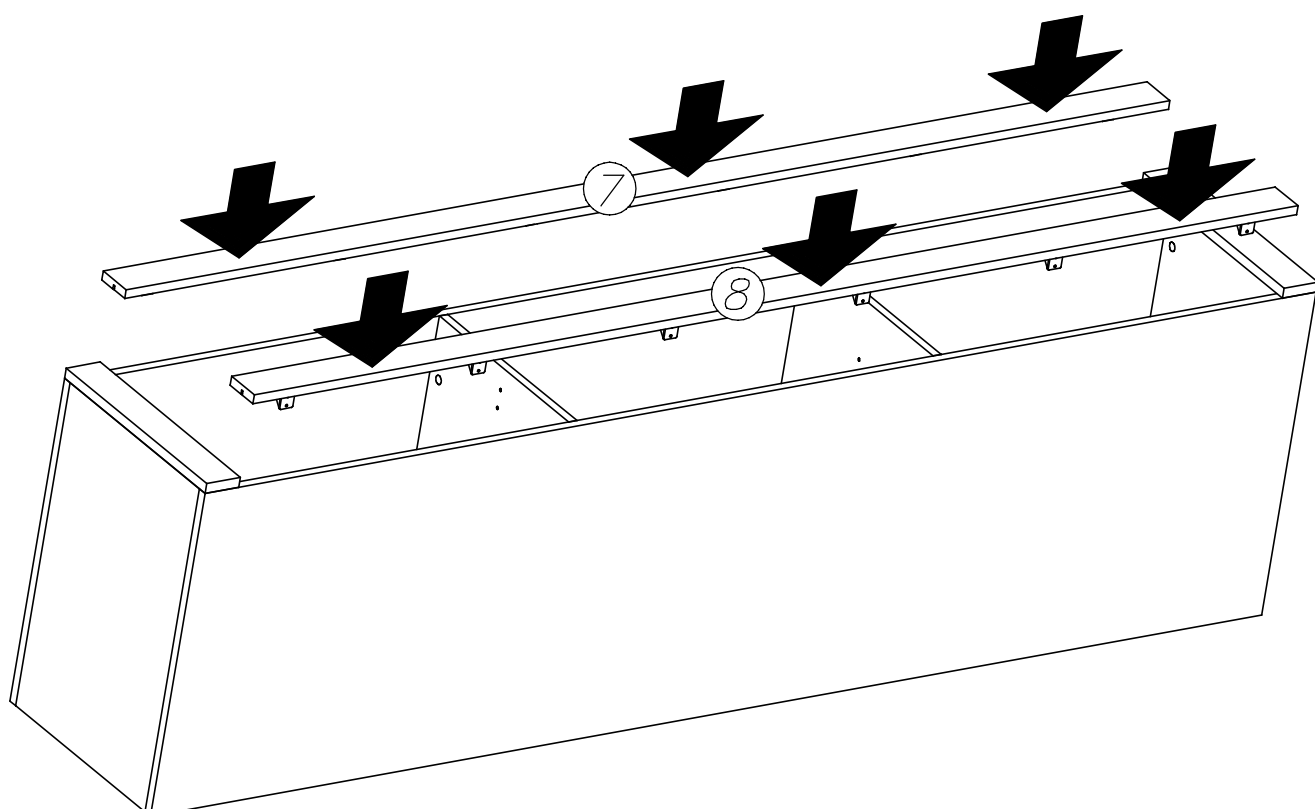


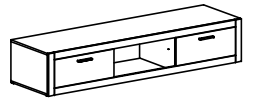


VII

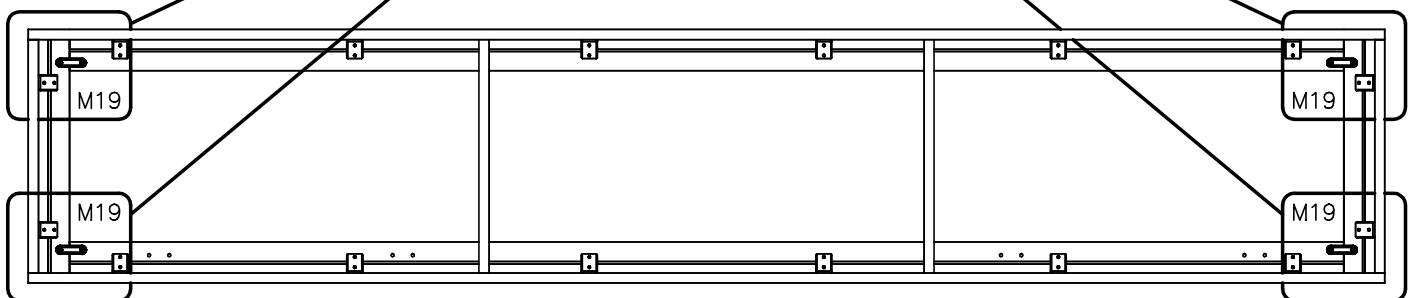
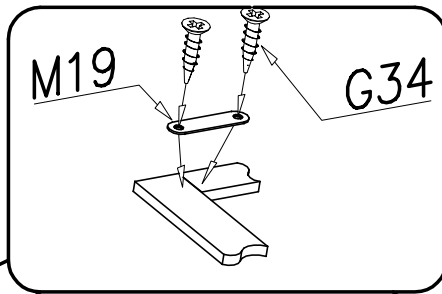
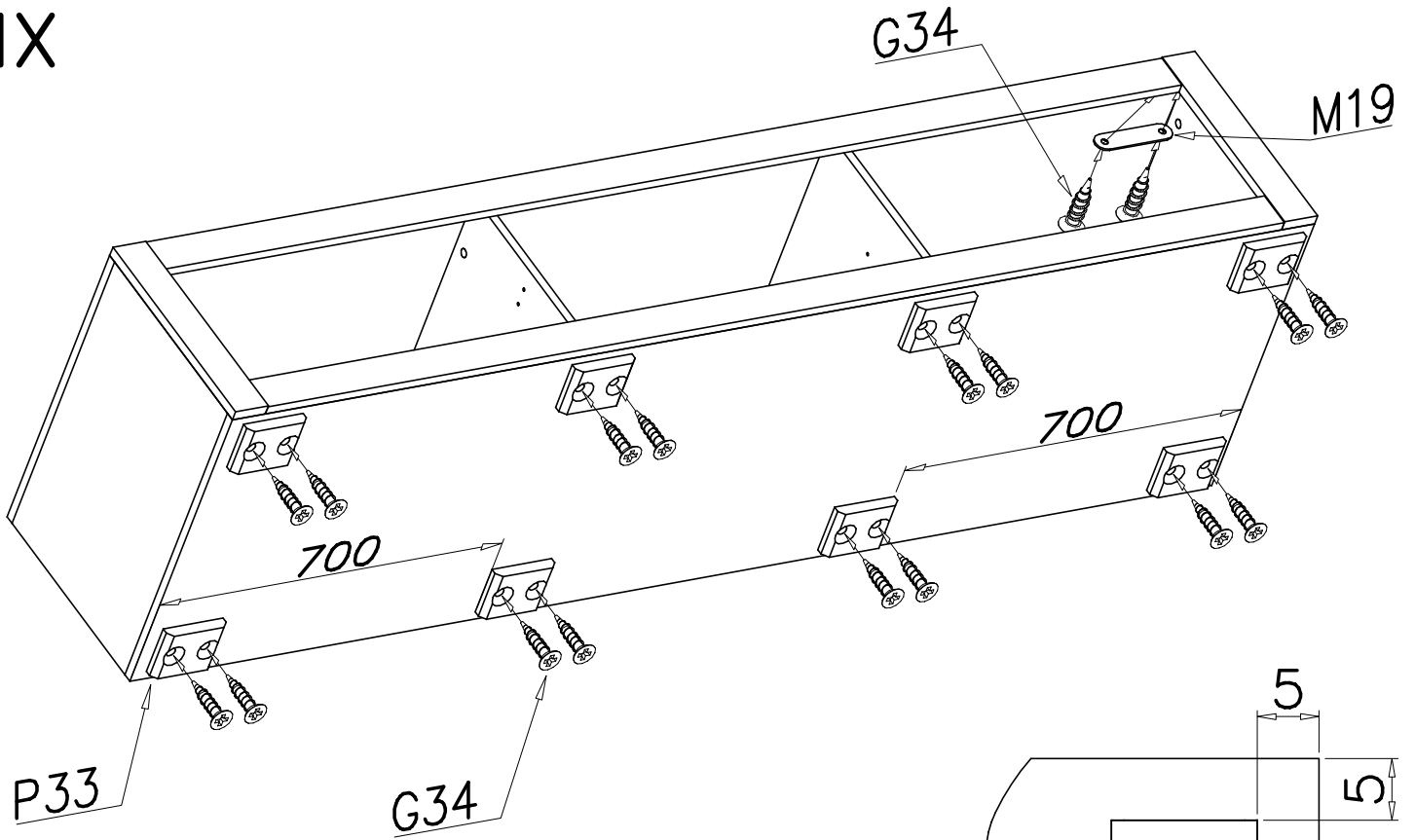


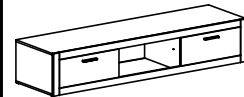
VIII



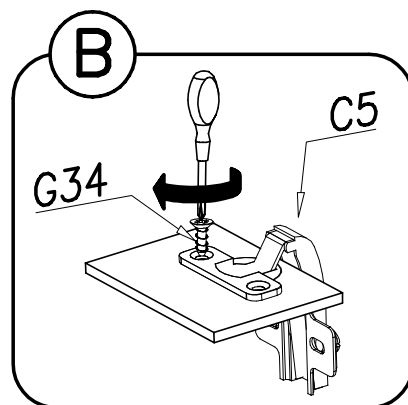
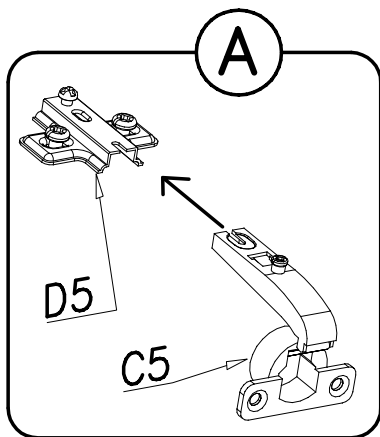


IX

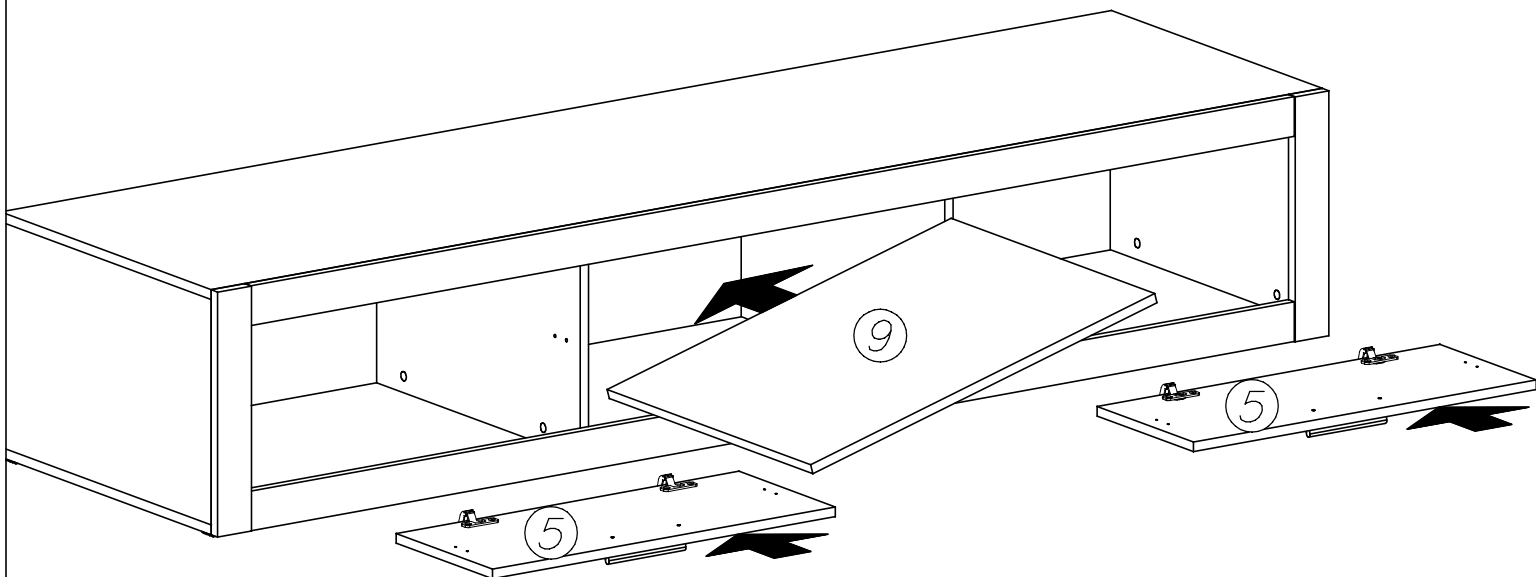
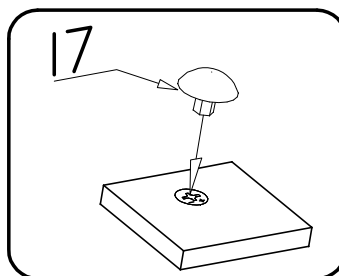
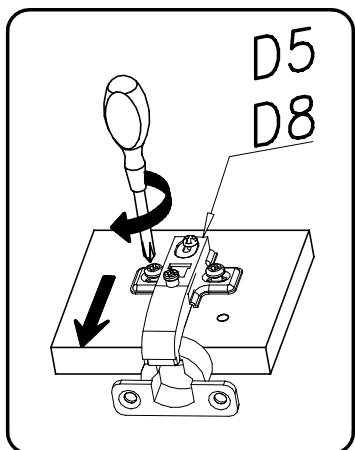
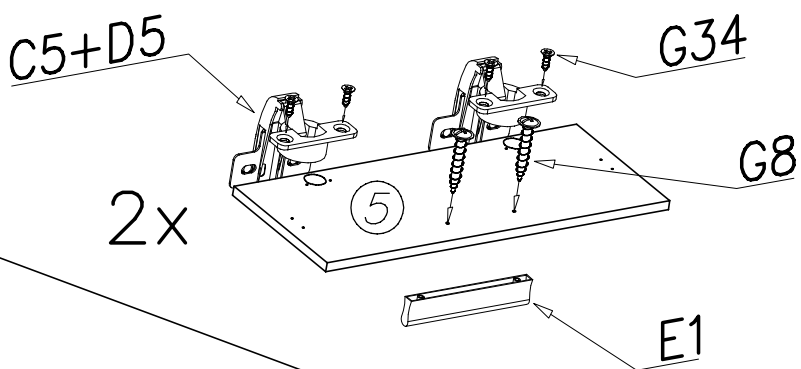




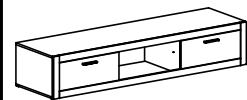
X



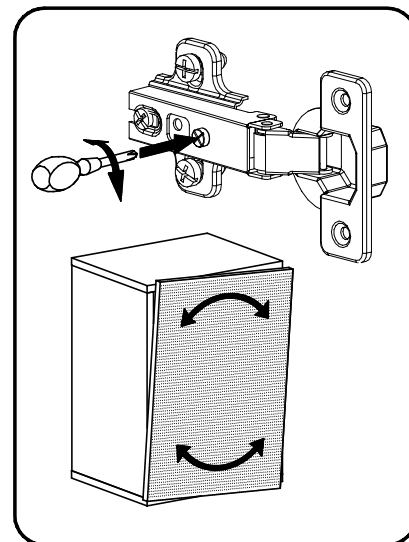
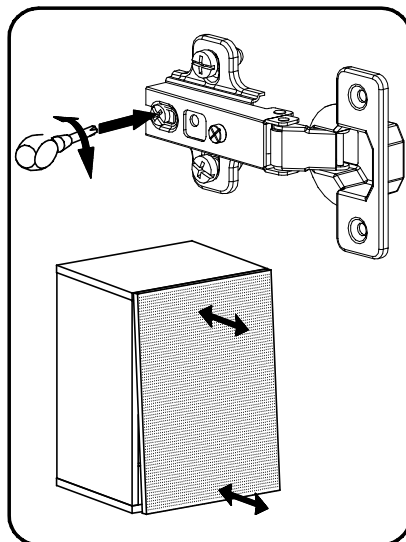
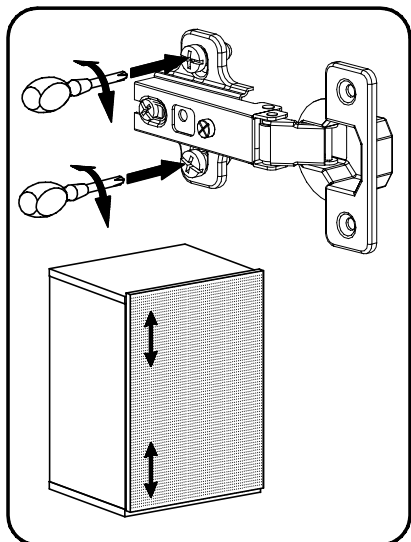
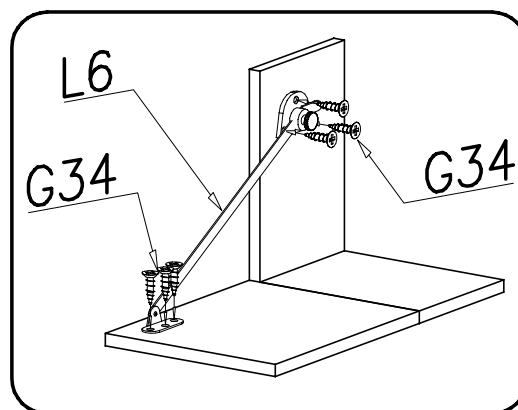
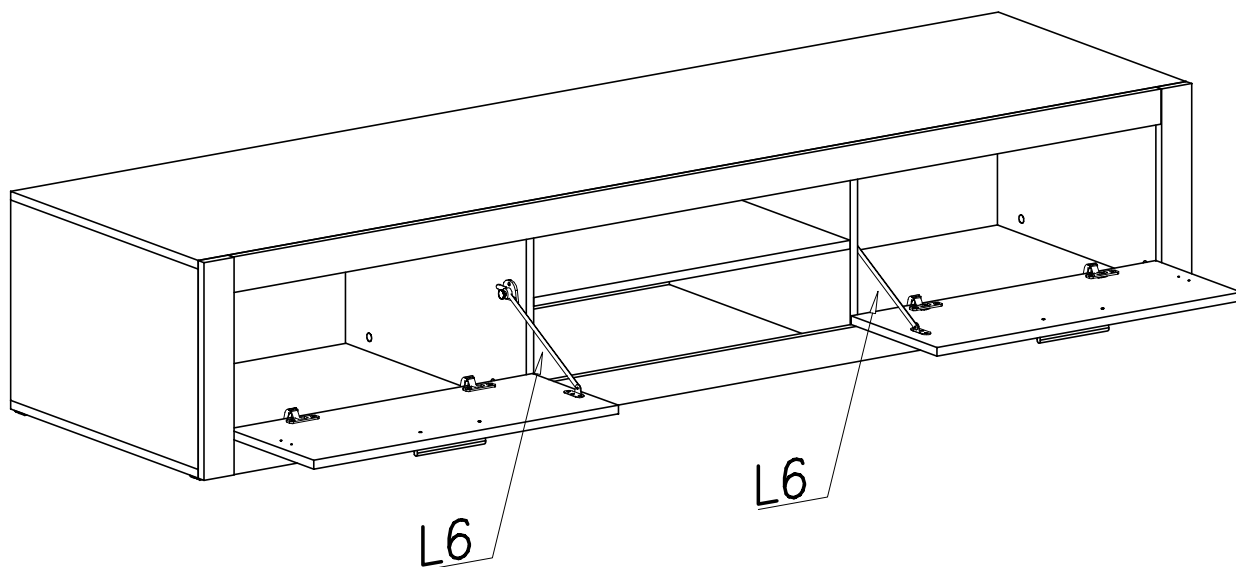
XI

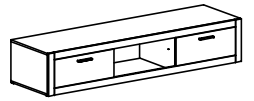






# XII





XIII

